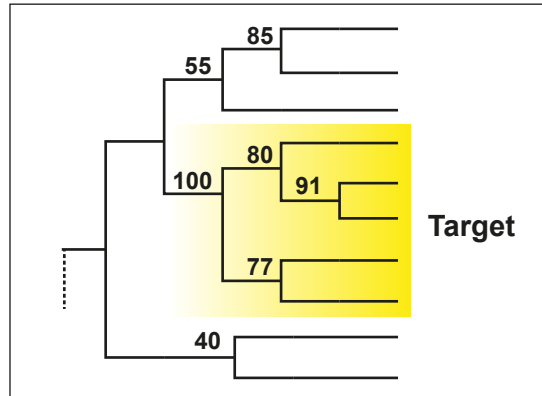


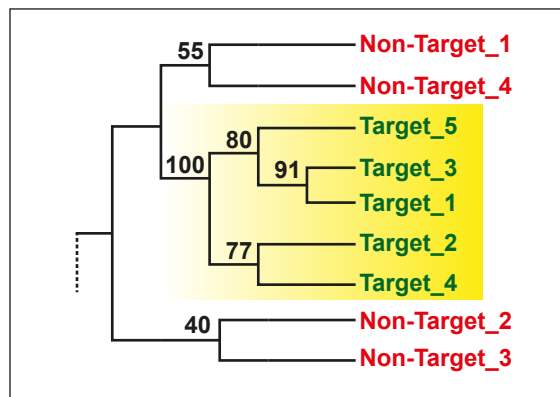
To simulate a tree of size X :



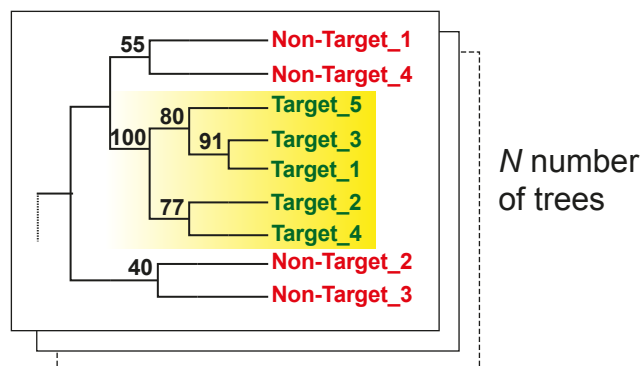
Template tree of size $1.05X$, with $0.2X$ tips contained within a target clade

Label target and non-target leaves at random

Remove $0.05X$ tip branches at random



Duplicate tree



Supplementary Figure S1.

Simulation strategy for generating phylogenetic tree sets.