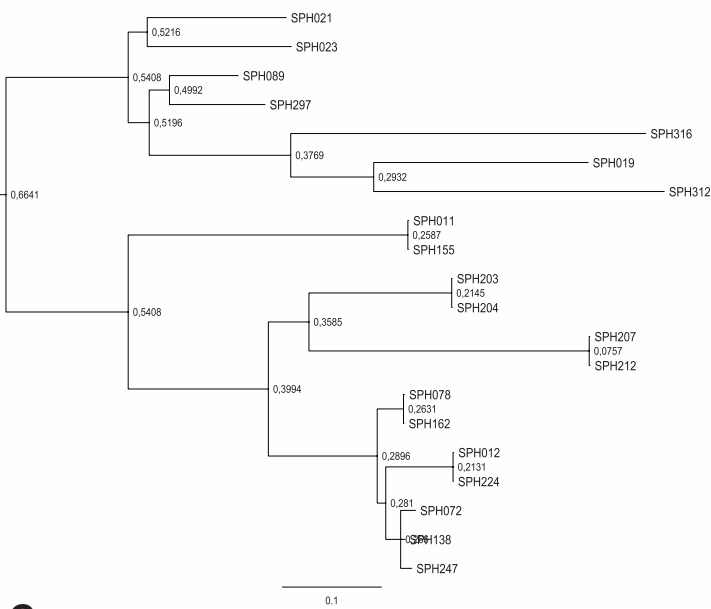
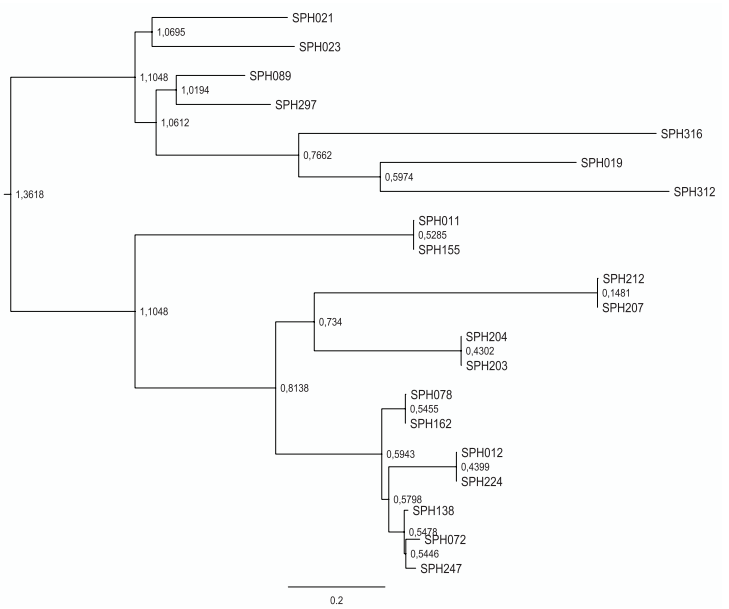
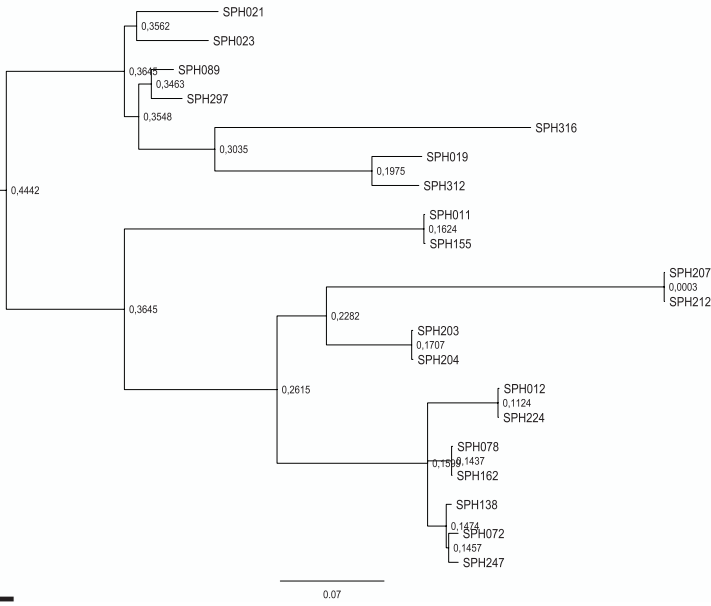
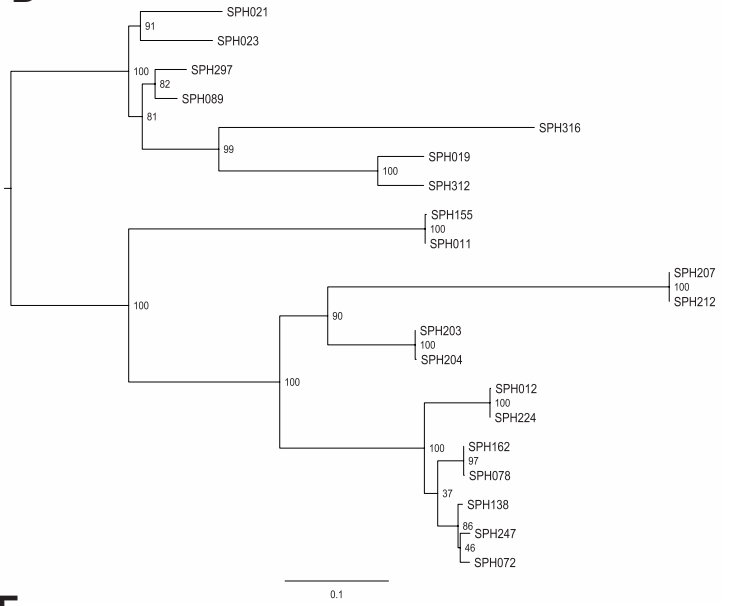
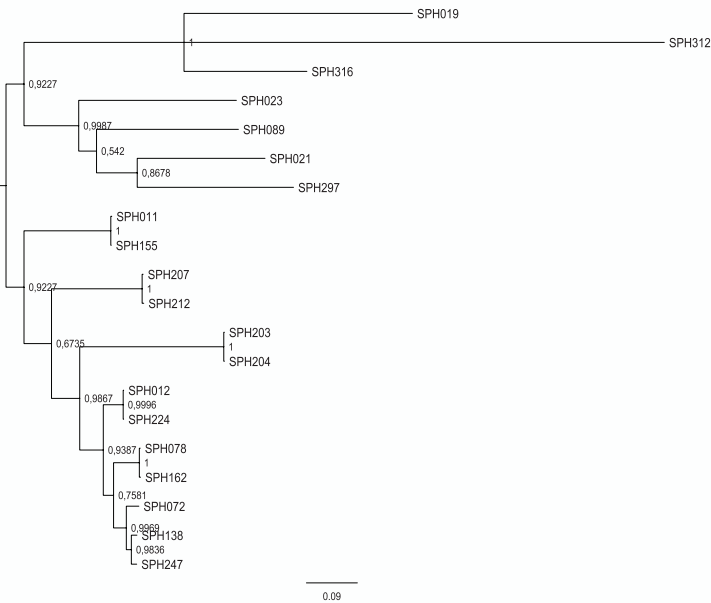
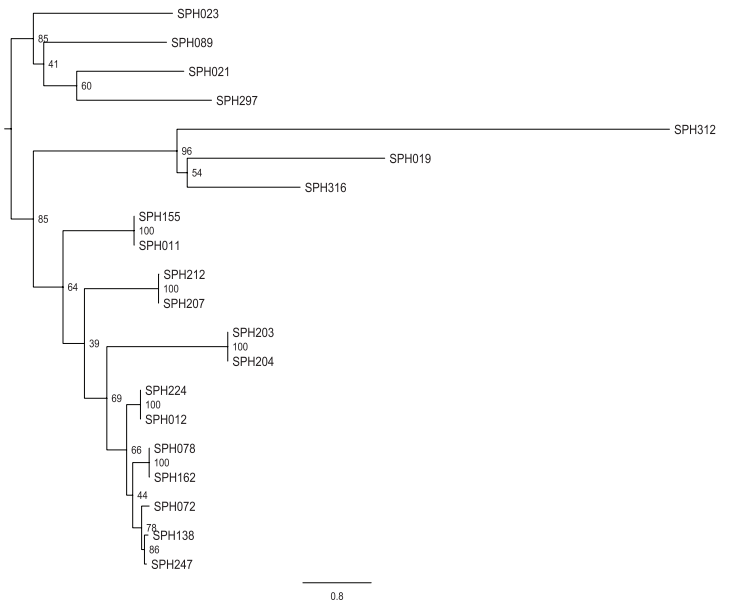


A**B****C****D****E****F**

SPH078: *Ephesiella* sp., Iceland Basin, South Iceland, 2749 m
 SPH162: *Ephesiella* sp., Iceland Basin, South Iceland, 2749 m
 SPH203: *Ephesiella* sp., Banyuls, France, 25 m
 SPH204: *Ephesiella* sp., Banyuls, France, 25 m
 SPH045: *Ephesiella* sp., Irminger Basin, South Iceland, 1594 m
 SPH080: *Ephesiella* sp., Irminger Basin, South Iceland, 1594 m
 SPH207: *Ephesiella* sp., Skagerrak, 406 m
 SPH212: *Ephesiella* sp., Finnmark, Barents Sea, 304 m
 SPH011: *Ephesiella* sp., Nordland, Norway, 823 m
 SPH155: *Ephesiella* sp., Denmark Strait, East Greenland, 1248 m
 SPH164: *Ephesiella* sp., Trondelag, Norway, ~ 80 m
 SPH232: *Ephesiella* sp., Skagerrak, Norway, 30 m

SPH072: *Sphaerodorum* sp., Sogn, Norway, 103 m
 SPH247: *Sphaerodorum* sp., Svalbard, 74 m
 SPH138: *Sphaerodorum* sp., Barents Sea, Norway, 217 m
 SPH012: *Sphaerodorum* sp., Nordland, Norway, 219 m
 SPH224: *Sphaerodorum* sp., Trondelag, Norway, 319 m
 SPH019: *Clavodorum atlanticum*
 SPH312: *Sphaerodoridium fauchaldi*
 SPH316: *Sphaerodoridium minutum*
 SPH089: *Sphaerodoropsis philippi*
 SPH297: *Sphaerodoropsis martinæ*
 SPH021: *Sphaerodoropsis martinæ*
 SPH023: *Sphaerodoropsis cf. longianalpapilla*