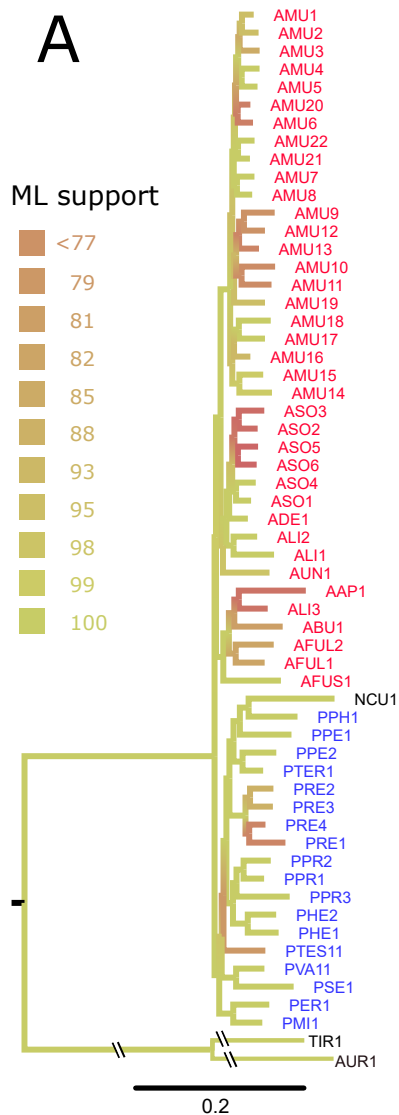
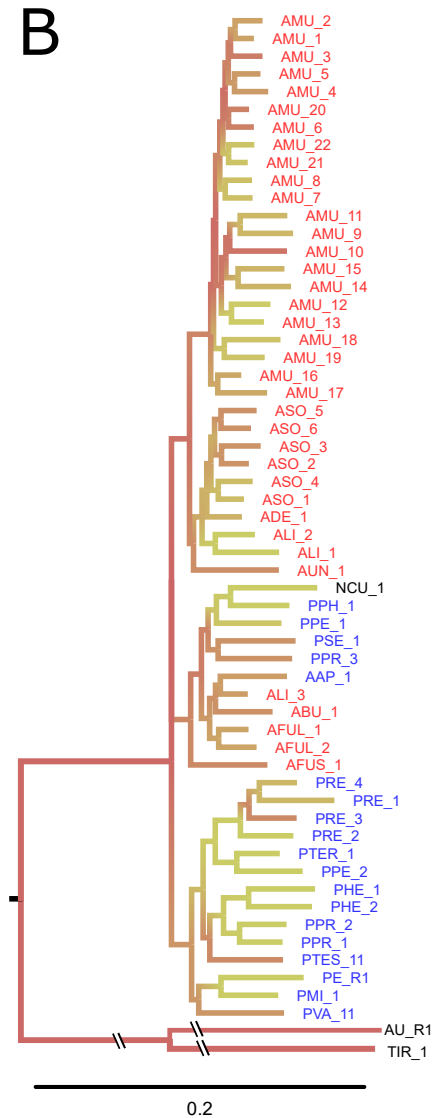


A

ML support

**B****C**