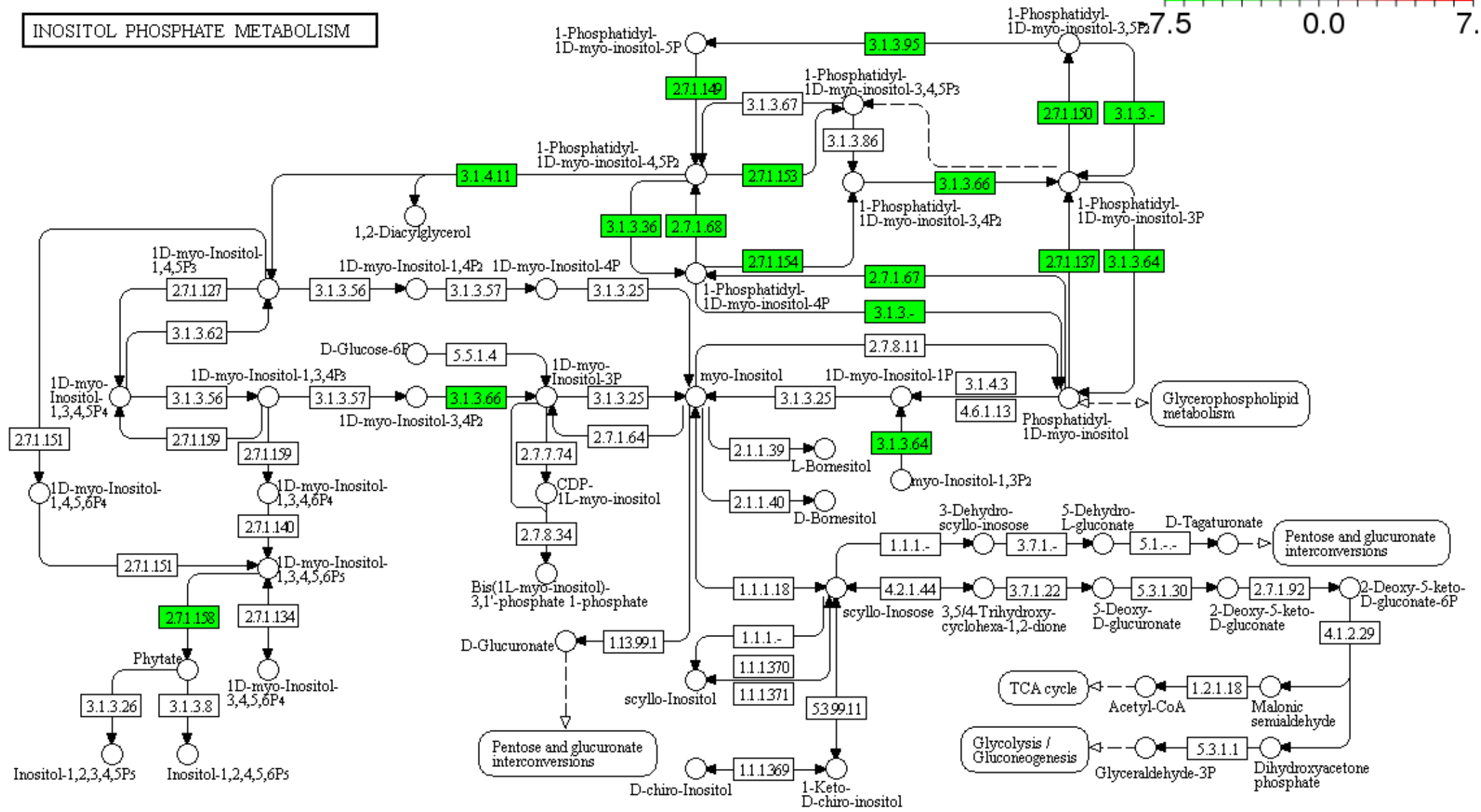
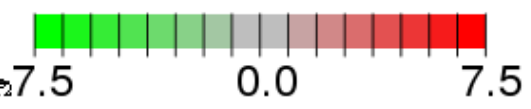
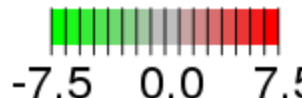
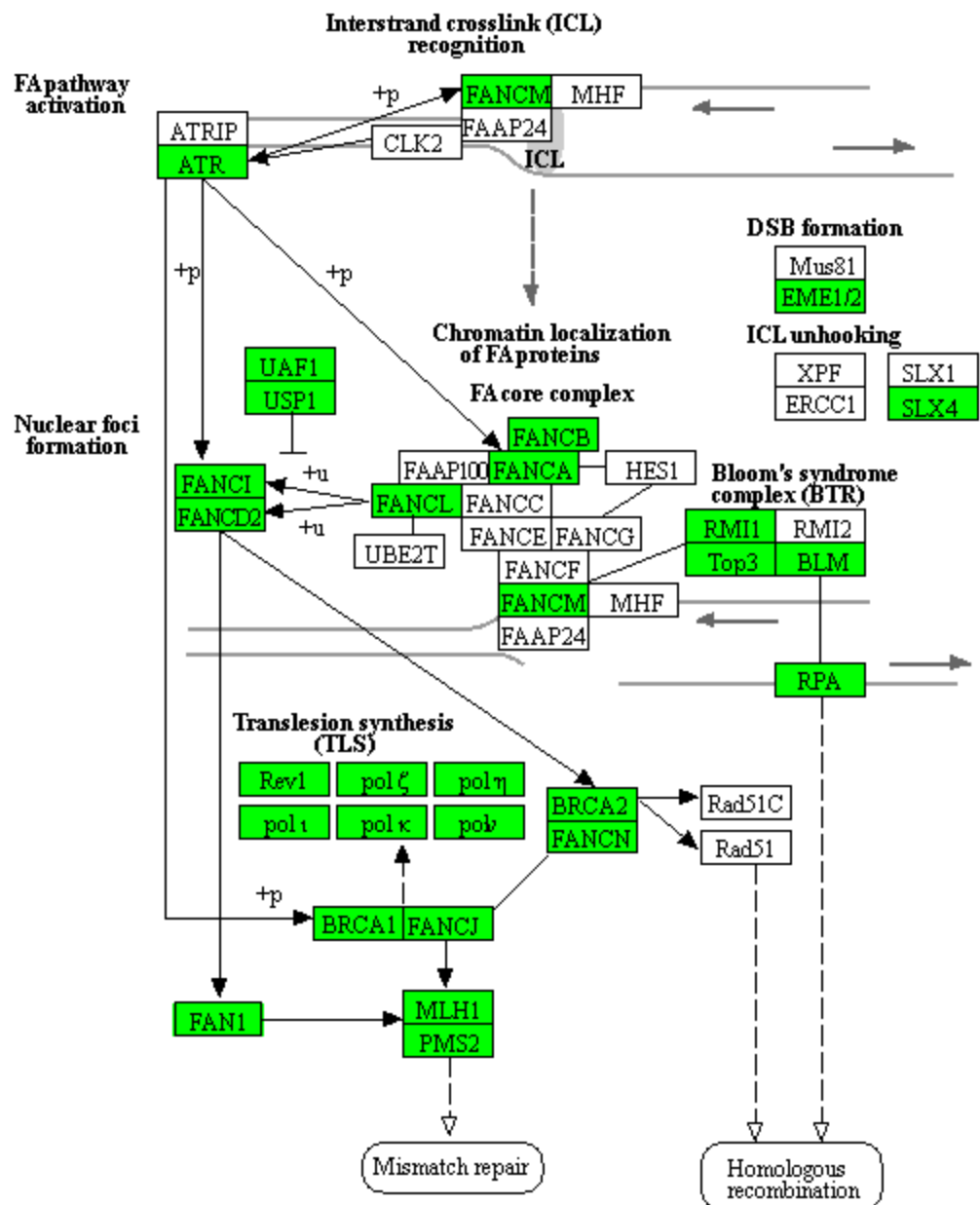


INOSITOL PHOSPHATE METABOLISM

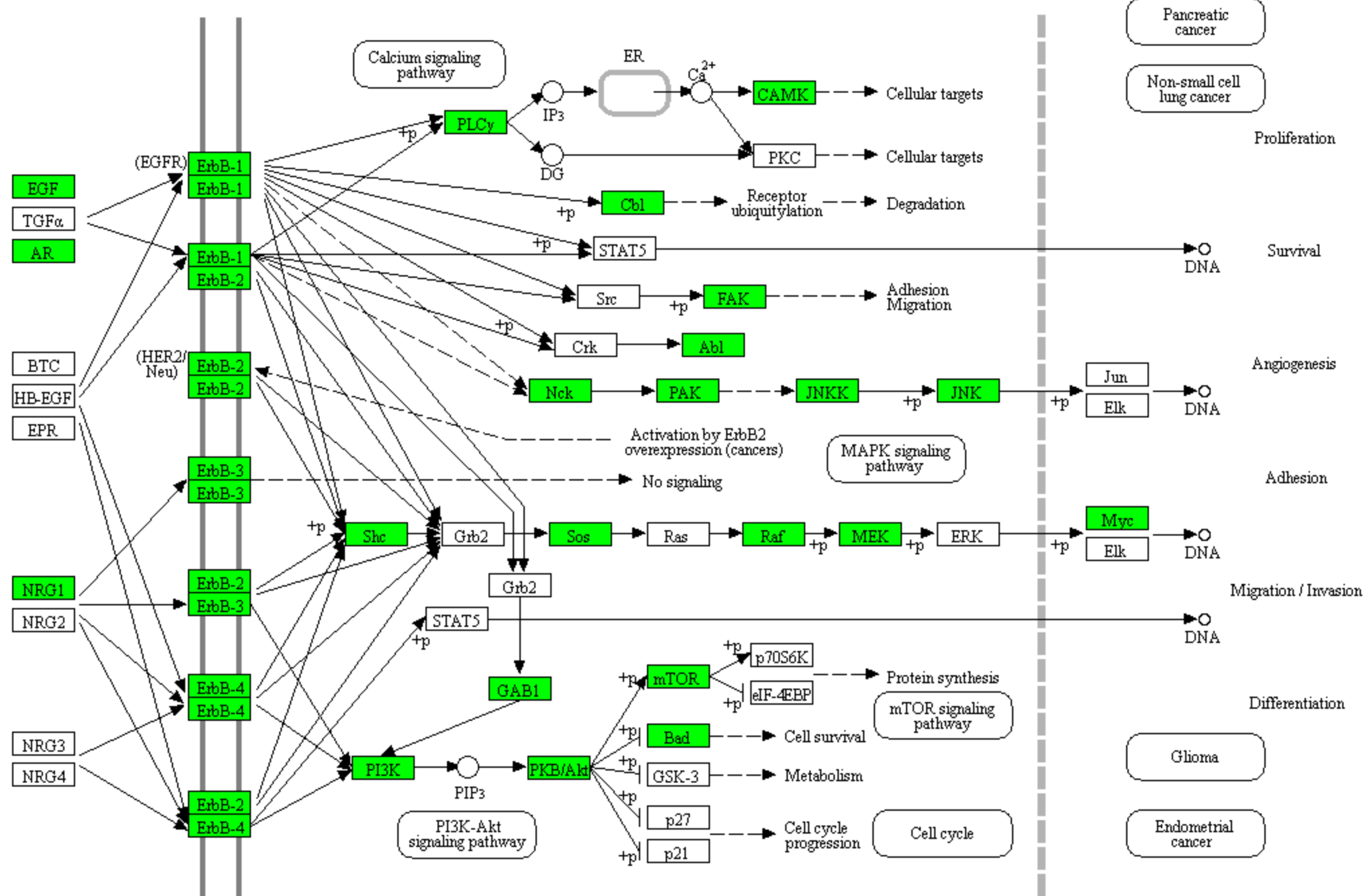
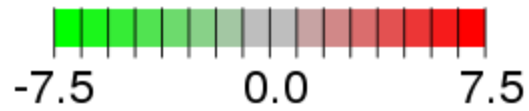




FANCONI ANEMIA PATHWAY



ERBB SIGNALING PATHWAY



- Pancreatic cancer
- Non-small cell lung cancer

Proliferation

Survival

Angiogenesis

Adhesion

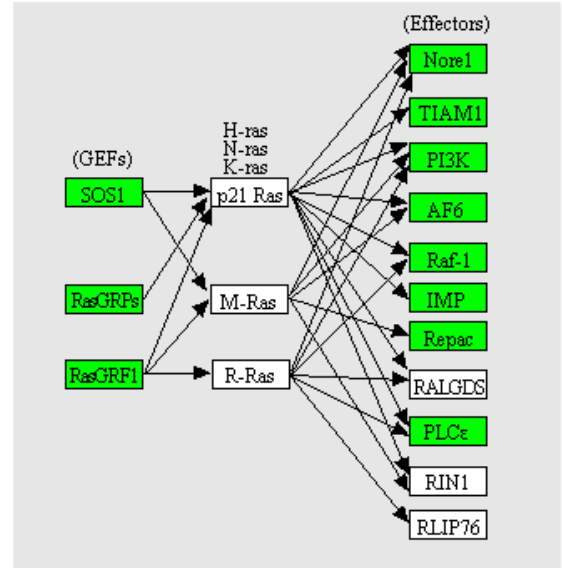
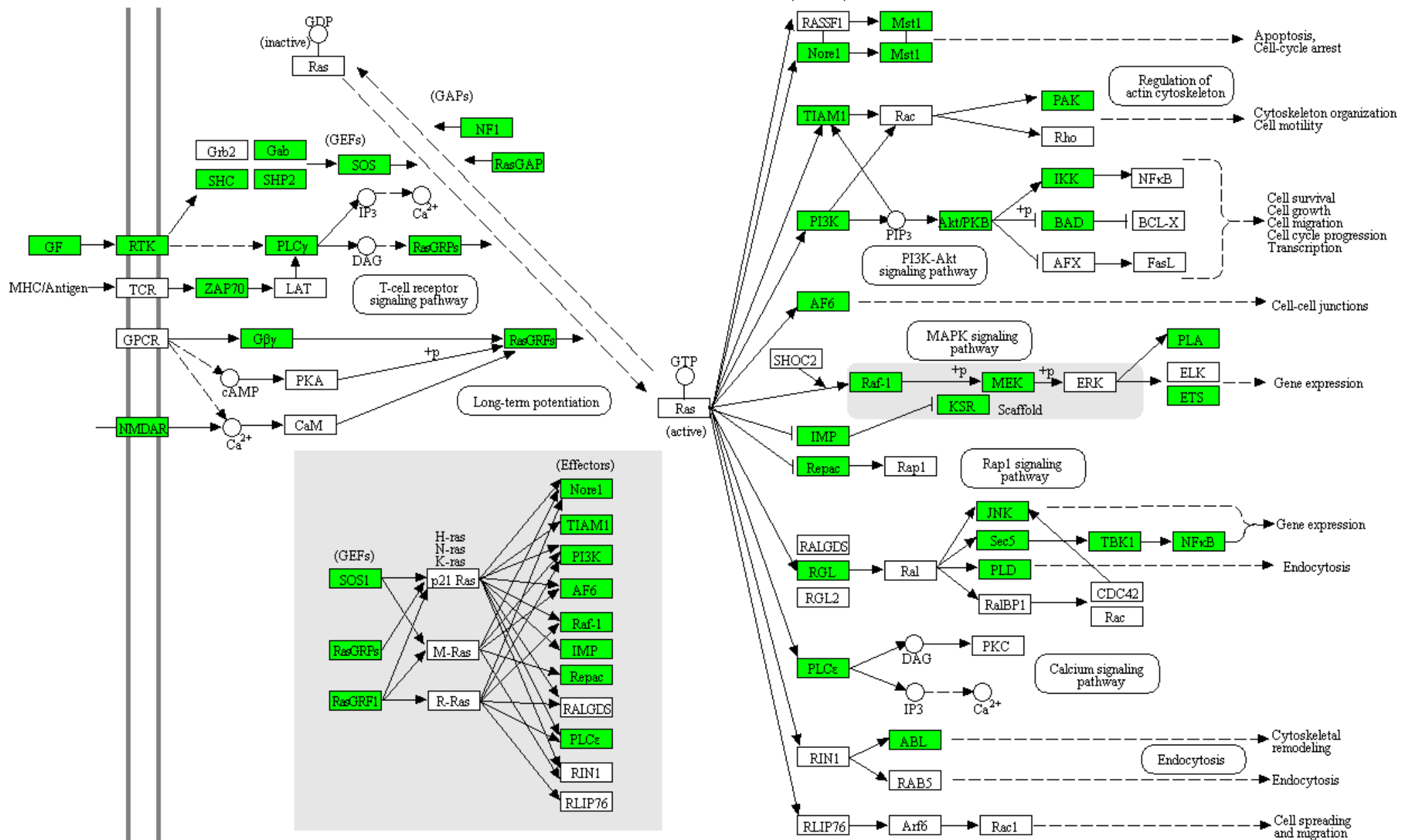
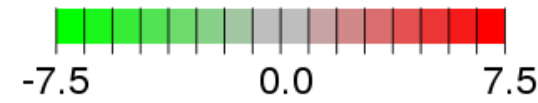
Migration / Invasion

Differentiation

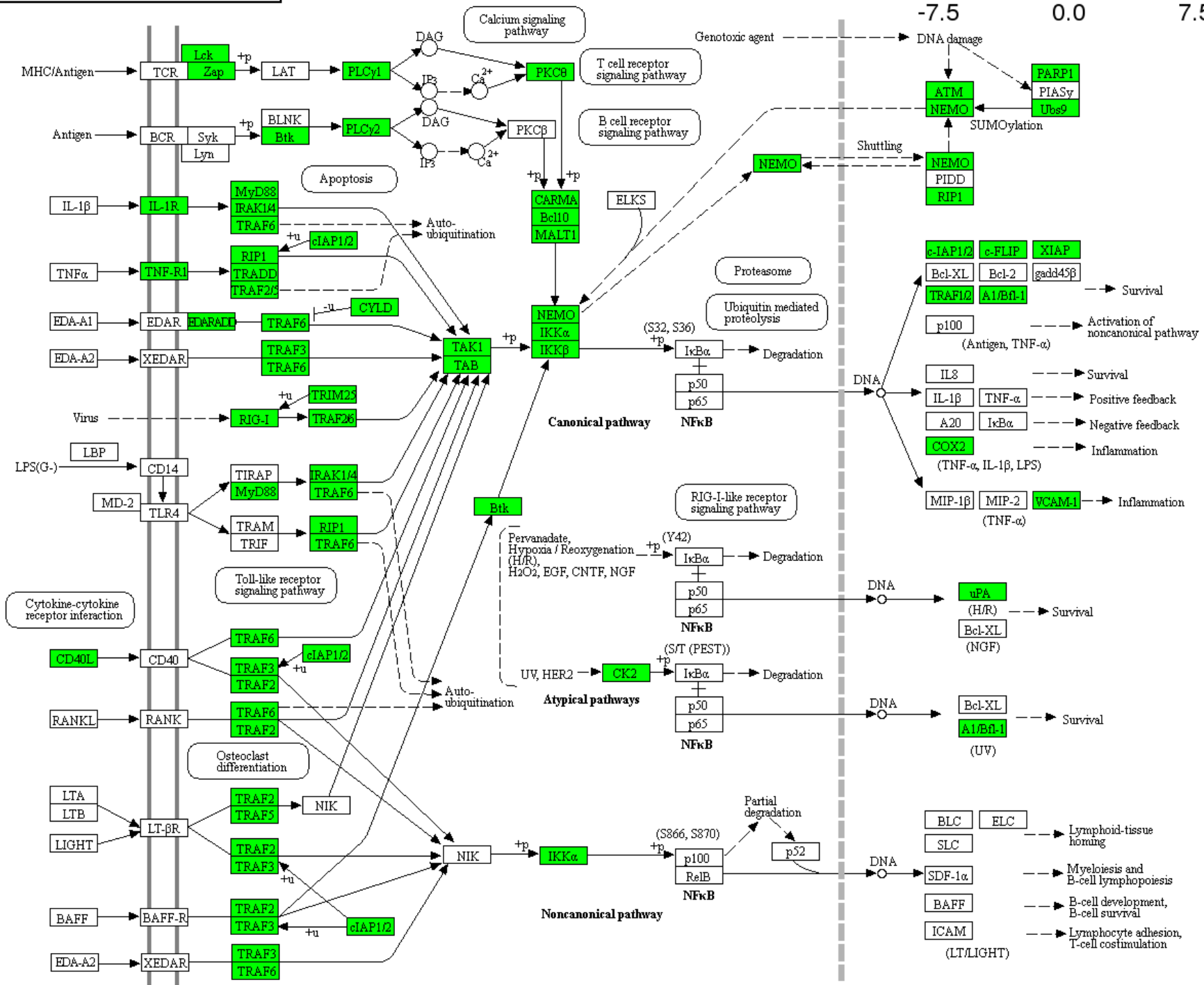
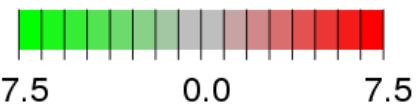
- Glioma

- Endometrial cancer

RAS SIGNALING PATHWAY

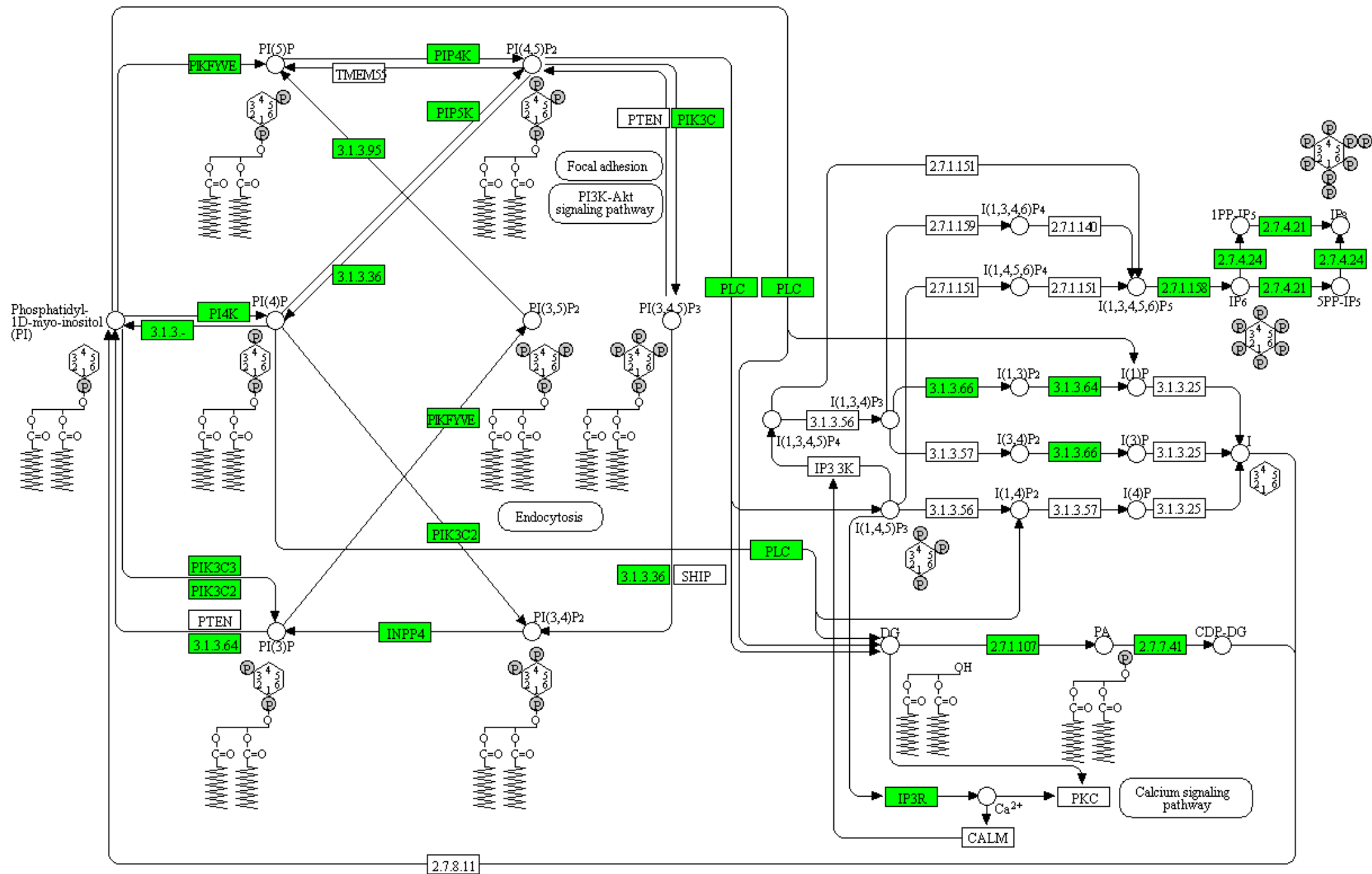
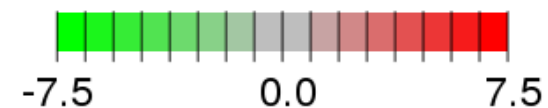


NF-KAPPA B SIGNALING PATHWAY

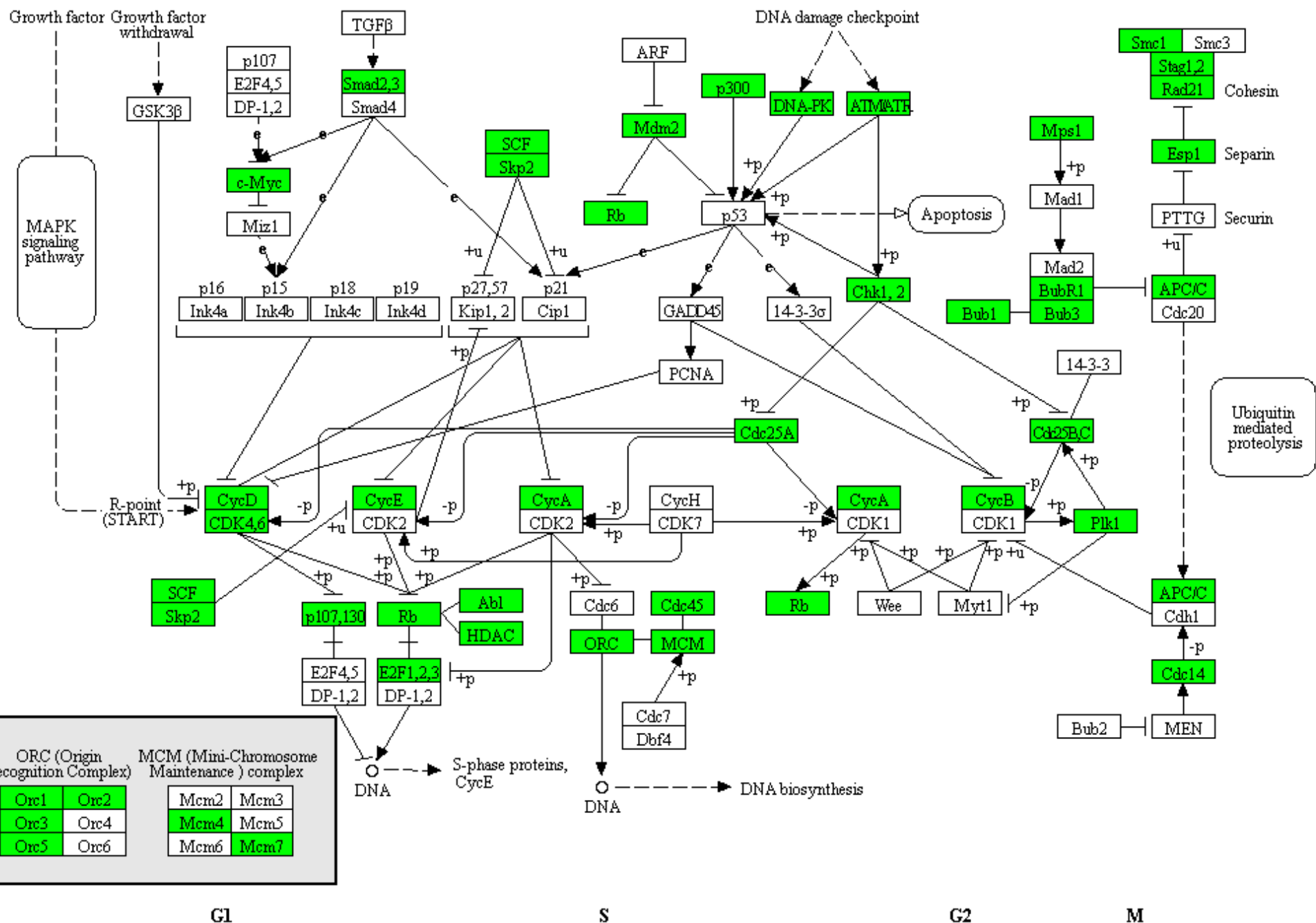
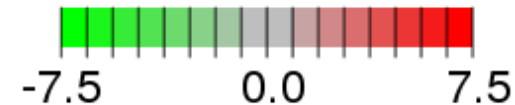


Data on KEGG graph
Rendered by Pathview

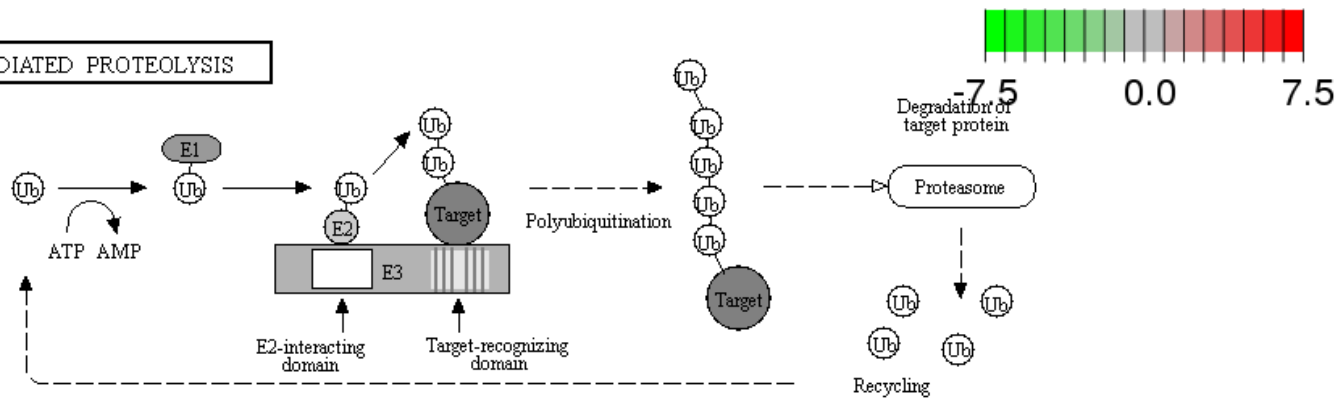
PHOSPHATIDYLINOSITOL SIGNALING SYSTEM



CELL CYCLE



UBIQUITIN MEDIATED PROTEOLYSIS



E1
(Ubiquitin-activating enzyme)

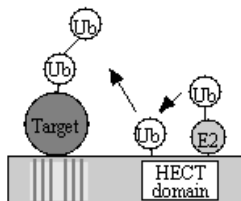
UBE1 UBE1A UBE1B UBE1C

E2
(Ubiquitin-conjugating enzyme)

UBE2A UBE2B UBE2C UBE2D UBE2E UBE2F UBE2G1 UBE2G2 UBE2H
 UBE2I UBE2J1 UBE2J2 UBE2L3 UBE2L6 UBE2M UBE2N UBE2O
 UBE2Q UBE2R UBE2S UBE2U UBE2W UBE2Z HIP2 AFCL1CN

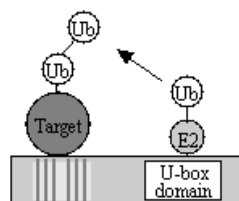
E3
(Ubiquitin ligase)

HECT type E3



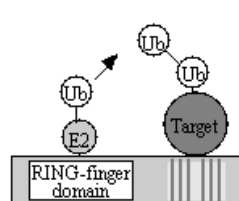
E6AP UBE3B UBE3C Smurf Itch
 WWP1 WWP2 TRIP12 NEDD4 ARF-BP1
 EDD1 HERC1 HERC2 HERC3 HERC4

U-box type E3



UBE4A UBE4B CHIP
 CYC4 PRP19 UIP5

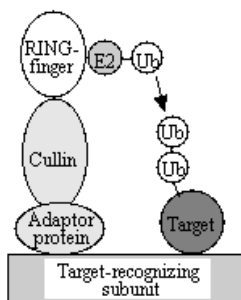
single RING-finger type E3



Mdm2 CBL Parkin SHAH-1 PML TRAF6 MEKK1
 COP1 PIRH2 cIAPs PIAS SYVN NHLRC1 AIRE
 MGRN1 BRCA1 FANCL MID1 Trim32 Trm37

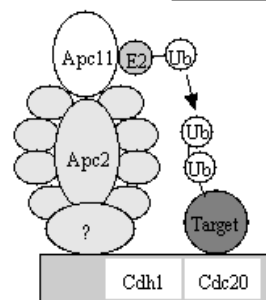
multi subunit RING-finger type E3

Cullin-Rbx E3

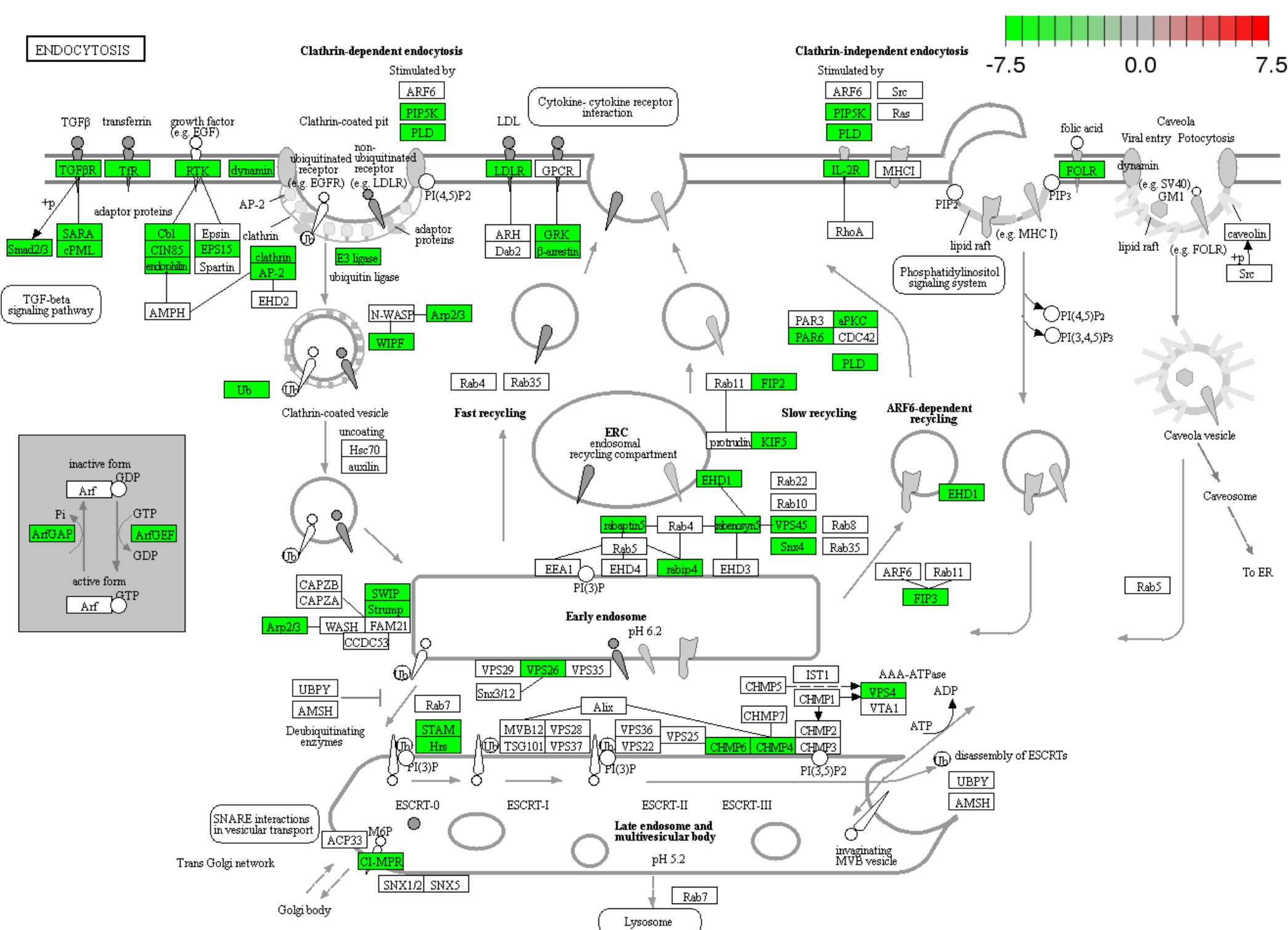


	RING finger	Cullin	Adaptor protein	Target recognizing subunit
SCF complex	RBX1	Cul1	Skp1	F-box
ECV complex	RBX1	Cul2	EloB EloC	VHLbox
Cul3 complex	RBX1	Cul3		BTB
Cul4 complex	RBX1	Cul4		DDB1 DCAF
ECS complex	RBX2	Cul5	EloB EloC	SOC3box
Cul7 complex	RBX1	Cul7	Skp1	Fbxw8

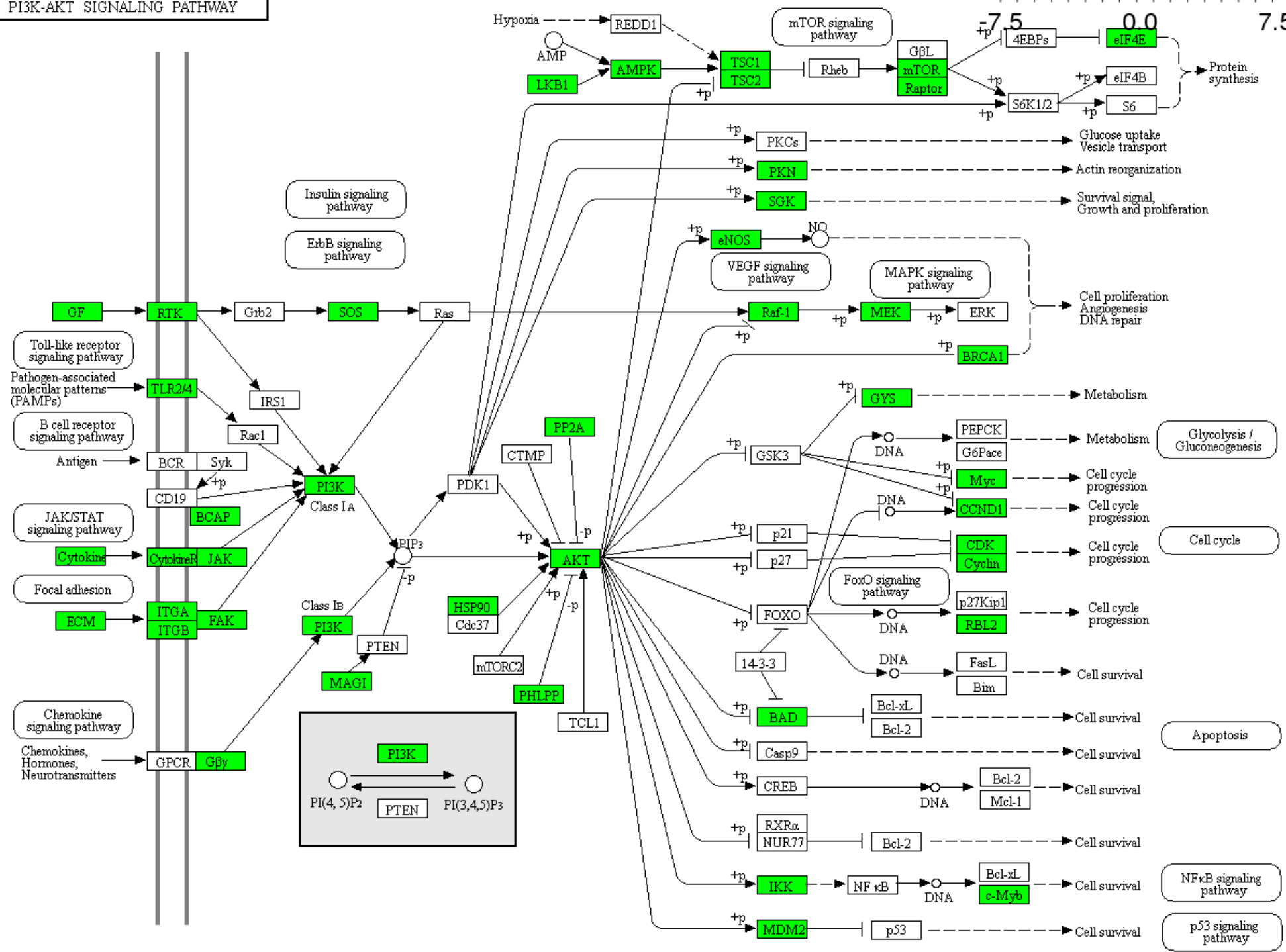
APC/C



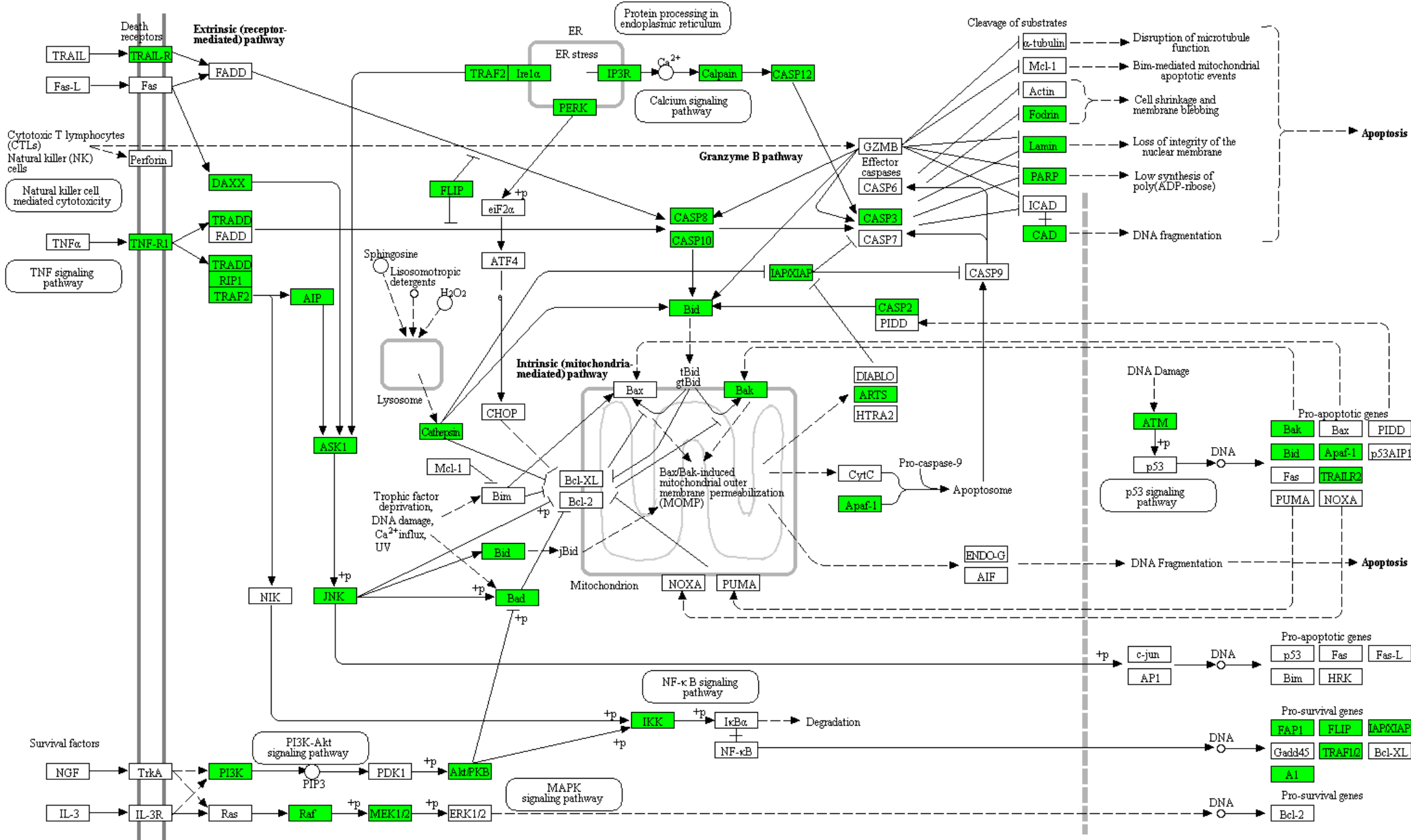
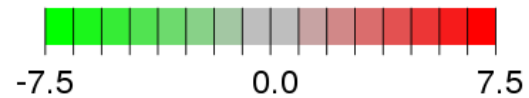
RING finger	Cullin	Adaptor protein	Target recognizing subunit	Other subunits
Apc11	Apc2	?	Cdc20	Apc1 Apc3 Cdh1 Apc4 Apc5 Apc6 Apc7 Apc8 Apc9 Apc10 Apc12 Apc13



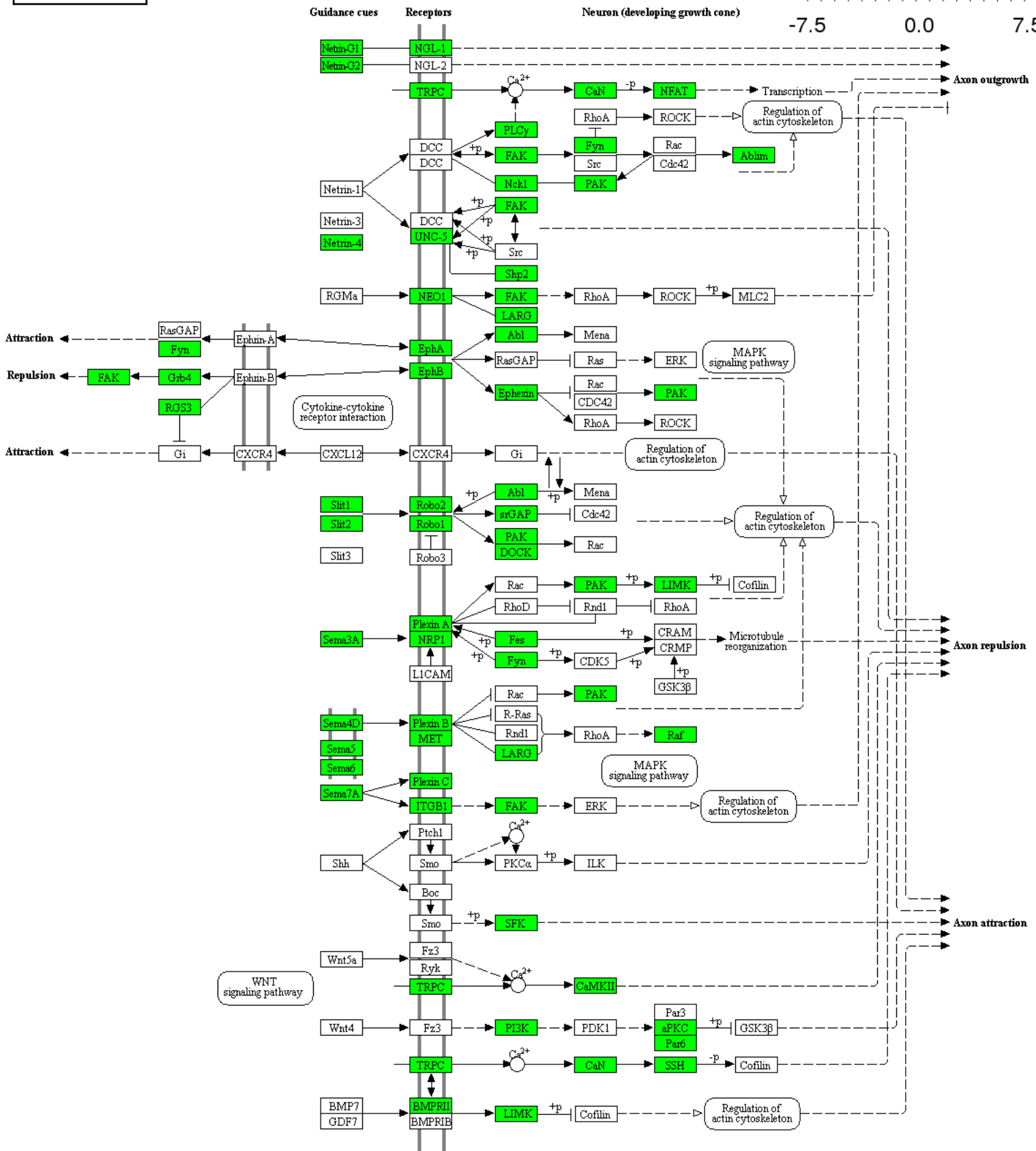
PI3K-AKT SIGNALING PATHWAY



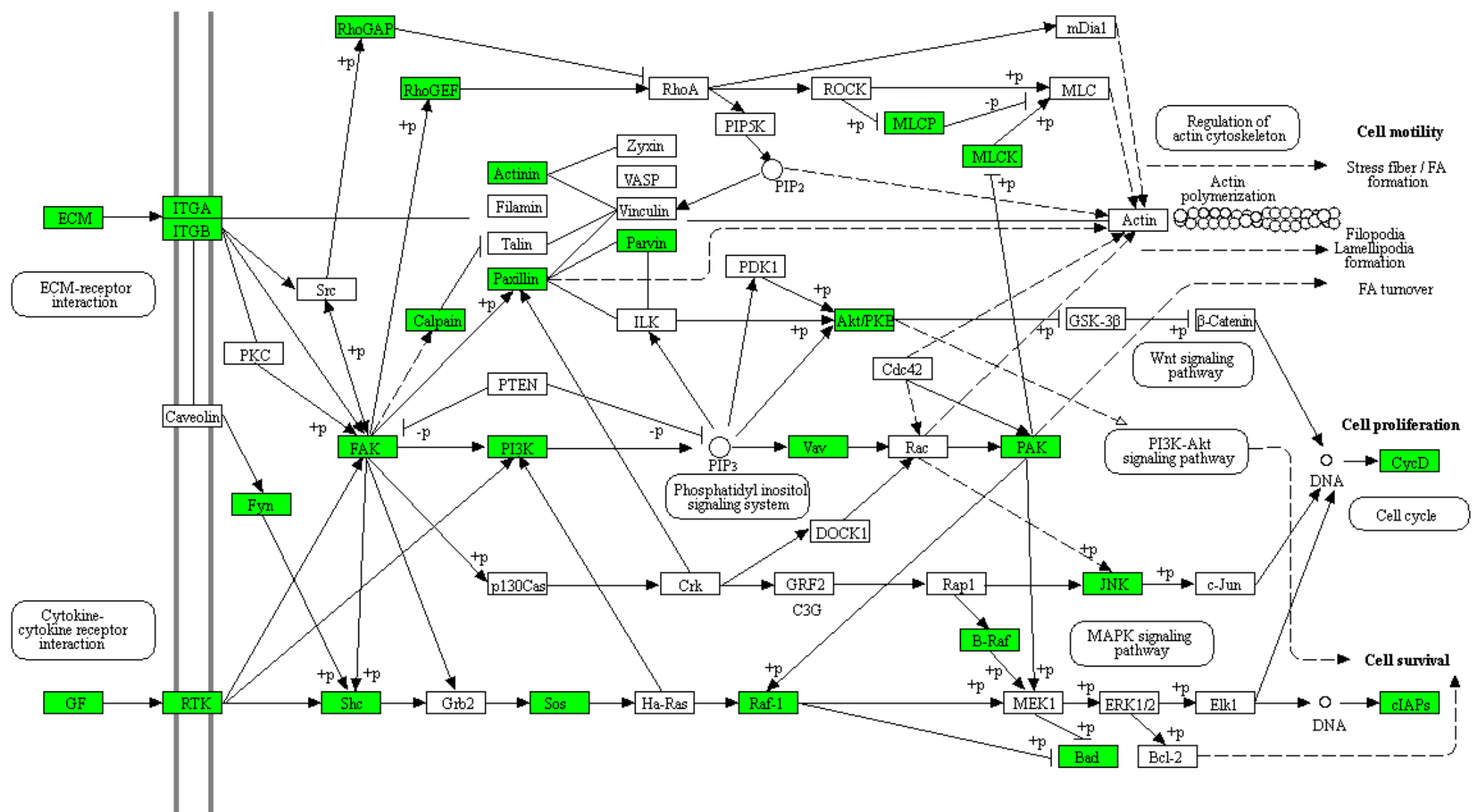
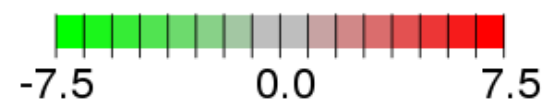
APOPTOSIS



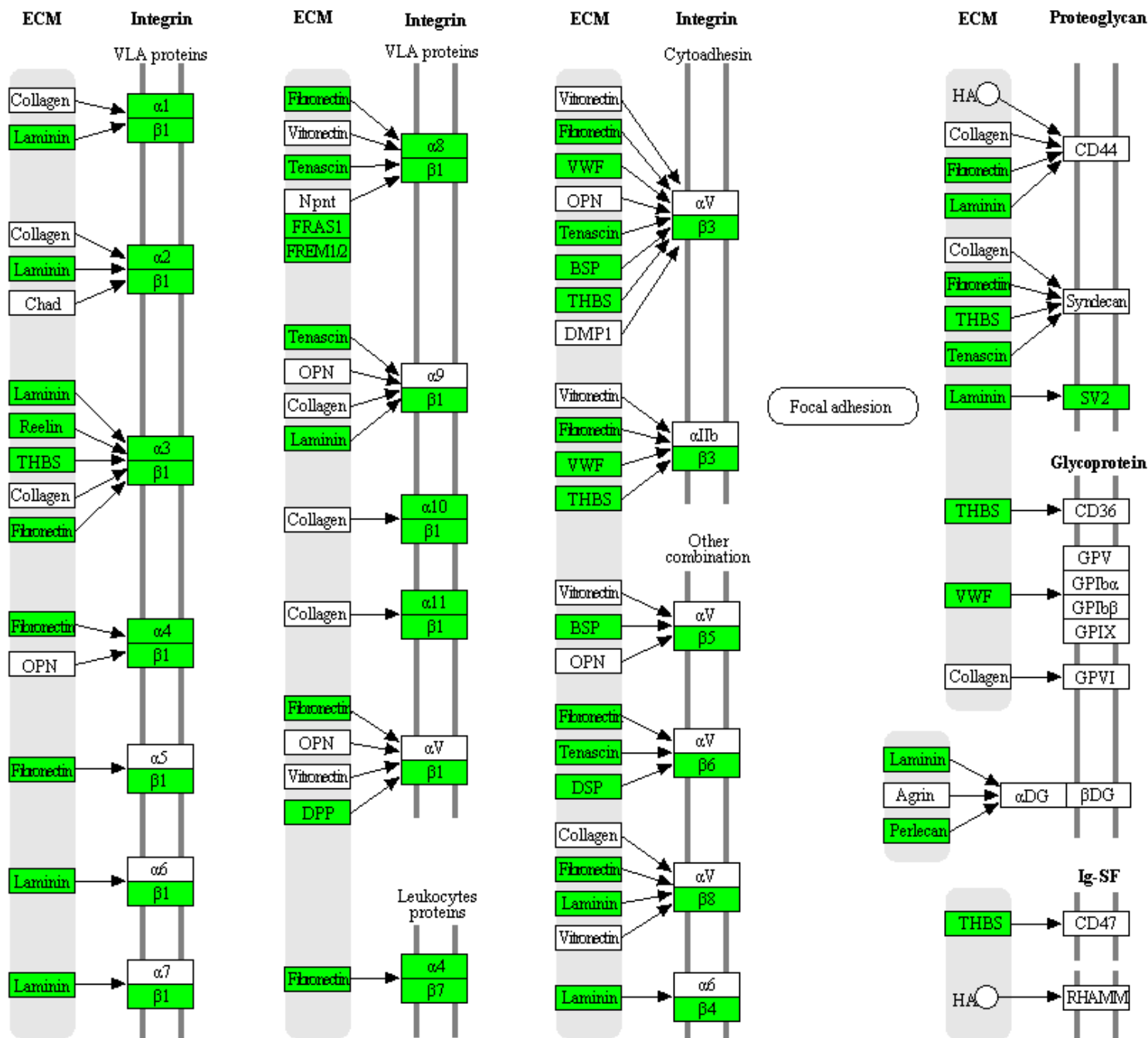
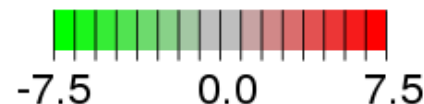
AXON GUIDANCE



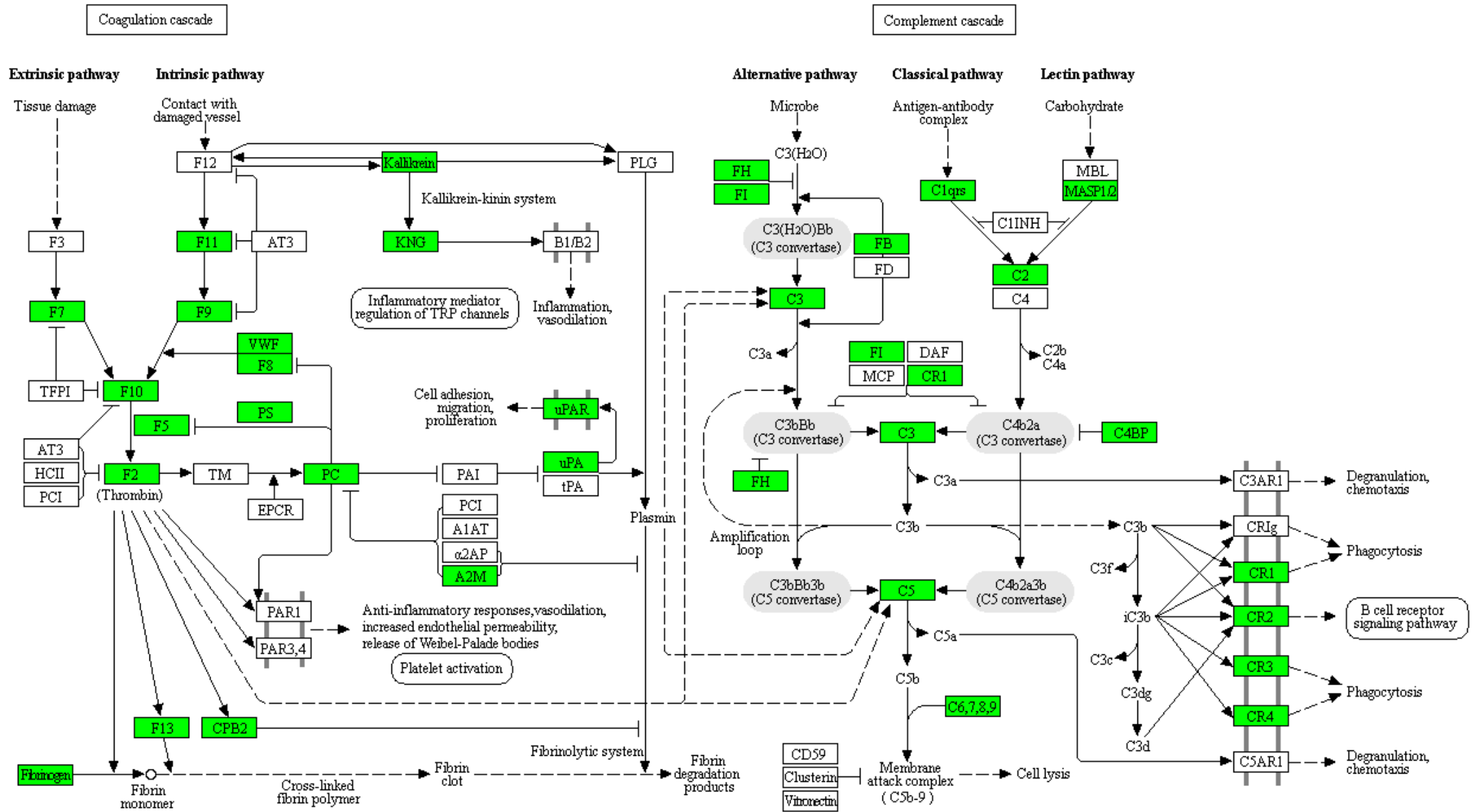
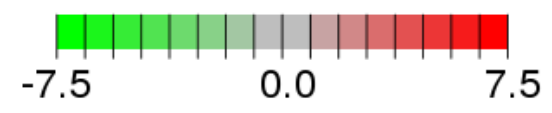
FOCAL ADHESION



ECM-RECEPTOR INTERACTION



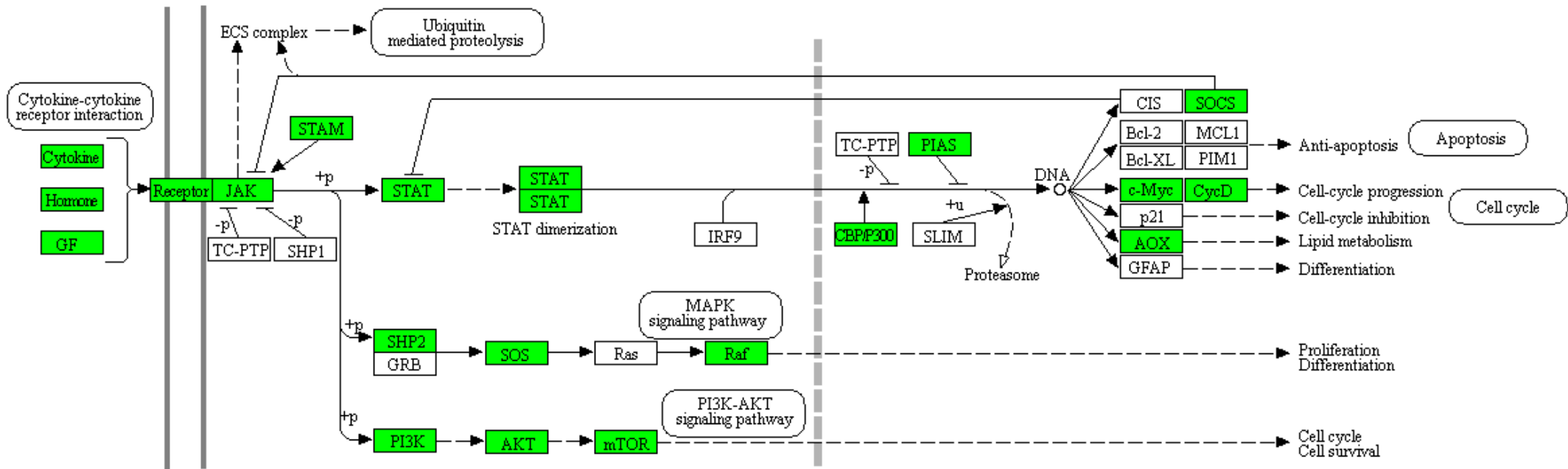
COMPLEMENT AND COAGULATION CASCADES



Data on KEGG graph
Rendered by Pathview



JAK-STAT SIGNALING PATHWAY



INSULIN SIGNALING PATHWAY

